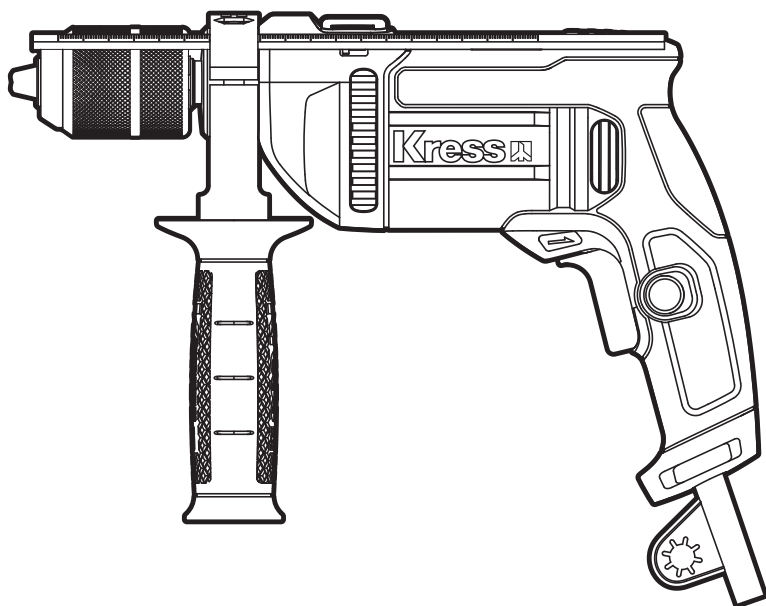


Kress



SAFETY AND OPERATING MANUAL

Impact drill


KUY02P



PRODUCT SAFETY

GENERAL POWER TOOL

SAFETY WARNINGS

 **WARNING** Read all safety warnings, instructions, illustrations and specifications provided with this power tool. Failure to follow all instructions listed below may result in electric shock, fire and/or serious injury.

Save all warnings and instructions for future reference.

The term "power tool" in the warnings refers to your mains-operated (corded) power tool or battery-operated (cordless) power tool.

1) Work area safety

- a) **Keep work area clean and well lit.** Cluttered or dark areas invite accidents.
- b) **Do not operate power tools in explosive atmospheres, such as in the presence of flammable liquids, gases or dust.** Power tools create sparks which may ignite the dust or fumes.
- c) **Keep children and bystanders away while operating a power tool.** Distractions can cause you to lose control.

2) Electrical safety

- a) **Power tool plugs must match the outlet. Never modify the plug in any way. Do not use any adapter plugs with earthed (grounded) power tools.** Unmodified plugs and matching outlets will reduce risk of electric shock.
- b) **Avoid body contact with earthed or grounded surfaces, such as pipes, radiators, ranges and refrigerators.** There is an increased risk of electric shock if your body is earthed or grounded.
- c) **Do not expose power tools to rain or wet conditions.** Water entering a power tool will increase the risk of electric shock.
- d) **Do not abuse the cord. Never use the cord for carrying, pulling or unplugging the power tool. Keep cord away from heat, oil, sharp edges or moving parts.** Damaged or entangled cords increase the risk of electric shock.
- e) **When operating a power tool outdoors, use an extension cord suitable for outdoor use.** Use of a cord suitable for outdoor use reduces the risk of electric shock.
- f) **If operating a power tool in a damp location is unavoidable, use a residual current device (RCD) protected supply.** Use of an RCD reduces the risk of electric shock.

3) Personal safety

- a) **Stay alert, watch what you are doing and use common sense when operating a power tool. Do not use a power tool while you are tired or under the influence of drugs, alcohol or medication.** A moment of inattention while operating power tools may result

in serious personal injury.
















- b) **Use personal protective equipment. Always wear eye protection.** Protective equipment such as dust mask, non-skid safety shoes, hard hat, or hearing protection used for appropriate conditions will reduce personal injuries.
 - c) **Prevent unintentional starting. Ensure the switch is in the off-position before connecting to power source and/or battery pack, picking up or carrying the tool.** Carrying power tools with your finger on the switch or energising power tools that have the switch on invites accidents.
 - d) **Remove any adjusting key or wrench before turning the power tool on.** A wrench or a key left attached to a rotating part of the power tool may result in personal injury.
 - e) **Do not overreach. Keep proper footing and balance at all times.** This enables better control of the power tool in unexpected situations.
 - f) **Dress properly. Do not wear loose clothing or jewellery. Keep your hair and clothing away from moving parts.** Loose clothes, jewellery or long hair can be caught in moving parts.
 - g) **If devices are provided for the connection of dust extraction and collection facilities, ensure these are connected and properly used.** Use of dust collection can reduce dust-related hazards.
 - h) **Do not let familiarity gained from frequent use of tools allow you to become complacent and ignore tool safety principles.** A careless action can cause severe injury within a fraction of a second.
-
- 4) **Power tool use and care**
 - a) **Do not force the power tool. Use the correct power tool for your application.** The correct power tool will do the job better and safer at the rate for which it was designed.
 - b) **Do not use the power tool if the switch does not turn it on and off.** Any power tool that cannot be controlled with the switch is dangerous and must be repaired.
 - c) **Disconnect the plug from the power source and/or remove the battery pack, if detachable, from the power tool before making any adjustments, changing accessories, or storing power tools.** Such preventive safety measures reduce the risk of starting the power tool accidentally.
 - d) **Store idle power tools out of the reach of children and do not allow persons unfamiliar with the power tool or these instructions to operate the power tool.** Power tools are dangerous in the hands of untrained users.
 - e) **Maintain power tools and accessories. Check for misalignment or binding of moving parts, breakage of parts and any other condition that may affect the power tool's operation. If damaged, have**





- the power tool repaired before use.** *Many accidents are caused by poorly maintained power tools.*
- f) **Keep cutting tools sharp and clean.** *Properly maintained cutting tools with sharp cutting edges are less likely to bind and are easier to control.*
 - g) **Use the power tool, accessories and tool bits etc. in accordance with these instructions, taking into account the working conditions and the work to be performed.** *Use of the power tool for operations different from those intended could result in a hazardous situation.*
 - h) **Keep handles and grasping surfaces dry, clean and free from oil and grease.** *Slippery handles and grasping surfaces do not allow for safe handling and control of the tool in unexpected situations.*
- 5) **Service**
- a) **Have your power tool serviced by a qualified repair person using only identical replacement parts.** *This will ensure that the safety of the power tool is maintained.*

DRILL SAFETY WARNINGS

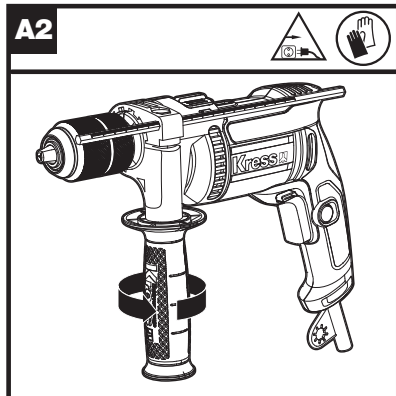
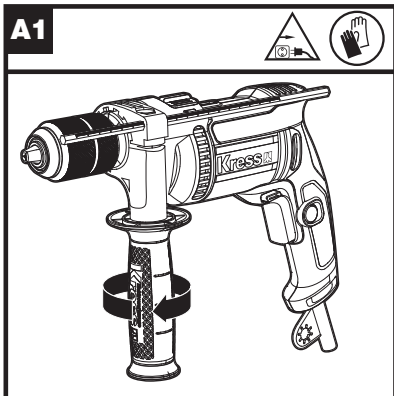
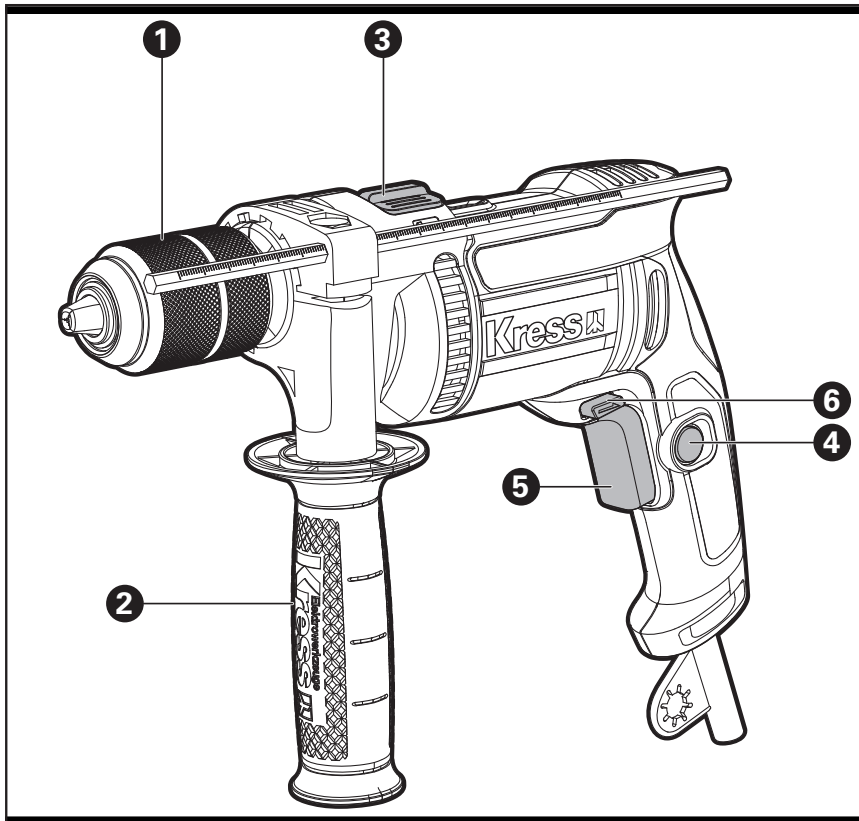
- 1) **Safety instructions for all operations**
 - a) **Wear ear protectors when impact drilling.** *Exposure to noise can cause hearing loss.*
 - b) **Use auxiliary handle(s).** *Loss of control can cause personal injury.*
 - c) **Hold the power tool by insulated gripping surfaces, when performing an operation where the cutting accessory or fasteners may contact hidden wiring or its own cord.** *Cutting accessory or fasteners contacting a "live" wire may make exposed metal parts of the power tool "live" and could give the operator an electric shock.*
- 2) **Safety instructions when using long drill bits**
 - a) **Never operate at higher speed than the maximum speed rating of the drill bit. At higher speeds, the bit is likely to bend if allowed to rotate freely without contacting the workpiece, resulting in personal injury.**
 - b) **Always start drilling at low speed and with the bit tip in contact with the workpiece. At higher speeds, the bit is likely to bend if allowed to rotate freely without contacting the workpiece, resulting in personal injury.**
 - c) **Apply pressure only in direct line with the bit and do not apply excessive pressure. Bits can bend causing breakage or loss of control, resulting in personal injury.**

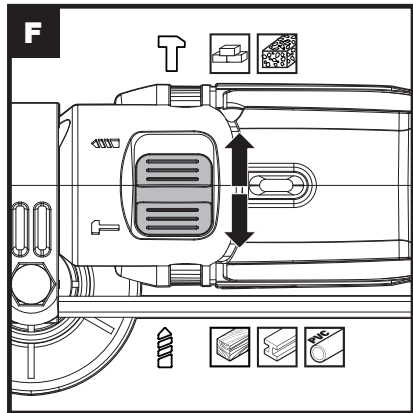
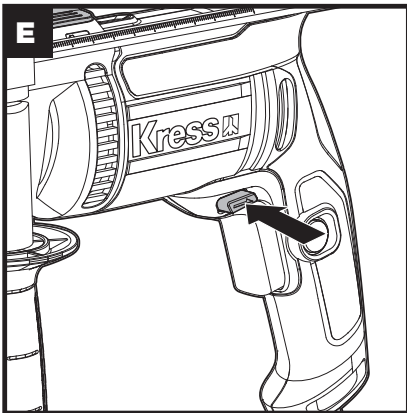
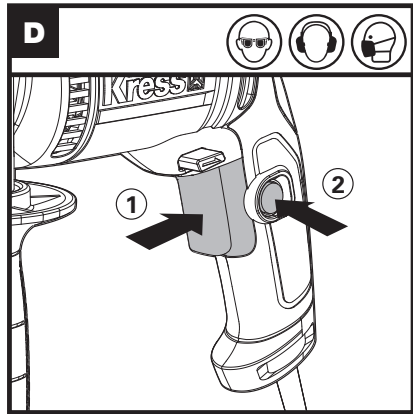
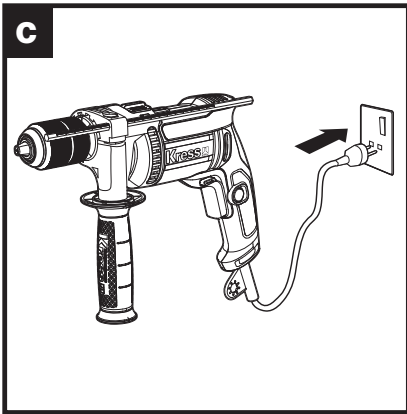
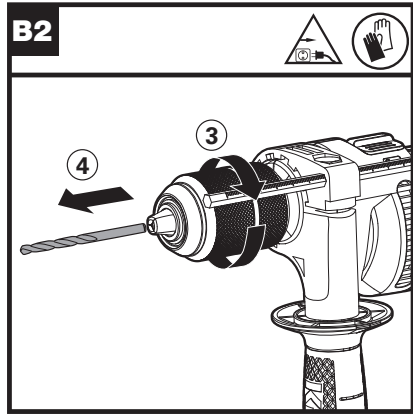
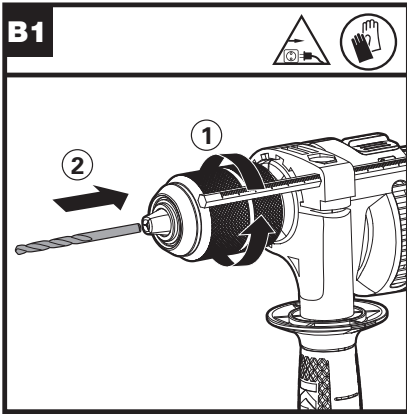
SYMBOLS

	To reduce the risk of injury, user must read instruction manual.
	Wear ear protection
	Wear eye protection
	Wear dust mask.
	Double insulation
	Wear protective gloves
	Before any work on the machine itself, pull the mains plug from the socket outlet.
	Hammer drilling
	Drilling
	Wood
	Steel
	Plastic
	Concrete
	High speed
	Low speed

 Li-Ion  Li-Ion	Li-Ion battery. This product has been marked with a symbol relating to 'separate collection' for all battery packs and battery pack. It will then be recycled or dismantled in order to reduce the impact on the environment. Battery packs can be hazardous for the environment and for human health since they contain hazardous substances.
	The box is recyclable at the kerbside.
	RCM marking

ABN: Australian Business Number. By this number, business information such as entity type, status, business location etc. can be found at website <http://abr.business.gov.au>. ABN of Positec Australia Pty Limited is 14 101 682 357






COMPONENT LIST

1.	KEYLESS CHUCK
2.	AUXILIARY HANDLE
3.	HAMMER DRILL /DRILL SELECTOR DIAL
4.	LOCK-ON BUTTON
5.	ON/OFF SWITCH
6.	FORWARD AND REVERSE ROTATION CONTROL

Not all the accessories illustrated or described are included in standard delivery.

TECHNICAL DATA

Type designation **KUY02P (Y02P-designation of machinery, representative of Impact Drill)**

Voltage	220-240V~50/60Hz	
Rated input power	650W	
Rated no load speed	0~3000/min	
Impact rate	0-45000bpm	
Chuck capacity	13mm	
Max drilling capacity	Steel	13mm
	Concrete	13mm
	Wood	25mm
Machine weight	1.69kg	
Protection class	 /II	

ACCESSORIES

Auxiliary Handle	1
Depth Gauge	1

We recommend that you purchase your accessories listed in the above list from the same store that sold you the tool. Refer to the accessory packaging for further details. Store personnel can assist you and offer advice.

OPERATING INSTRUCTIONS




NOTE: Before using the tool, read the instruction book carefully.

INTENDED USE

The machine is intended for hammer drilling in brick, concrete and stone. It is also suitable for drilling without impact in wood, metal and plastic.

ASSEMBLY AND OPERATION

Action	FIGURE
Clamp and release the auxiliary handle  WARNING! To avoid accidents, please be sure to check and tighten the handle before use.	See Fig. A1,A2
Chuck Adjustment	See Fig. B1,B2
Connect the power	See Fig. C
On/off switch and lock-on button	See Fig. D
Forward and reverse rotation control Note: Do not move the forward and reverse rotation control when the drill is working or the switch is locked to avoid damage to the drill.	See Fig. E
Hammer drill /drill selector dial	See Fig. F

WORKING HINTS FOR YOUR TOOL

- 1. FOR DRILLING OF STONES AND CONCRETE**
Set the hammer/drill control button to the “hammering” position. Tungsten carbide drill bits are used for rapid drilling of stones and concrete.
- 2. FOR DRILLING OF STEEL**
Set the hammer/drill control button to the “drilling” position. High-speed steel drill bits are used for drilling of steel in a slow manner.
- 3. FOR LOCATING HOLES**
When drilling large holes in rigid materials such as steel, it is recommended to drill a small locating hole before using a large drill bit.
- 4. FOR DRILLING OF TILES**
Set the hammer/drill button to the “drilling” position. After penetrating the porcelain, set to the “hammering” position

5. COOLING MOTOR

If your power tool becomes over heated, set the speed to maximum and run no load for 2-3 minutes to cool the motor.

MAINTENANCE

Remove the plug from the socket before carrying out any adjustment, servicing or maintenance.

Your power tool requires no additional lubrication or maintenance.

There are no user serviceable parts in your power tool. Never use water or chemical cleaners to clean your power tool. Wipe clean with a dry cloth. Always store your power tool in a dry place. Keep the motor ventilation slots clean. Keep all working controls free of dust. Occasionally you may see sparks through the ventilation slots. This is normal and will not damage your power tool.

If the supply cord is damaged, it must be replaced by the manufacturer, its service agent or similarly qualified persons in order to avoid a hazard.

PROBLEM SOLUTION

1. If the drill does not work, please check if the power plug is connected firstly.
2. If the drilling effect is poor, check whether the drill bit is sharp. If any wear, replace the drill bit. Check whether the drill is set to "forward rotation" position under normal use.
3. If it cannot be resolved, please return the drill to your local dealer for repair.

Positec Australia Pty Limited
10 Corporate Blvd Bayswater, VIC 3153, Australia





Kress 