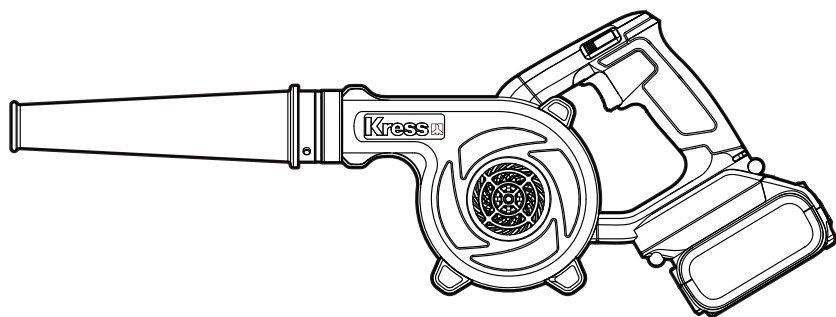


Kress



SAFETY AND OPERATING MANUAL

20V Li-ion Blower

KUF30.9



PRODUCT SAFETY GENERAL SAFETY WARNINGS



WARNING! Read all safety warnings and all instructions. Failure to follow the warnings and instructions may result in electric shock, fire and/or serious injury.

Carefully read the instructions for the safe operation of the machine.

Save all warnings and instructions for future reference.

- This appliance is not intended for use by persons (including children) with reduced physical, sensory or mental capabilities, or lack of experience and knowledge, unless they have been given supervision or instruction concerning use of the appliance by a person responsible for their safety.
- Children should be supervised to ensure that they do not play with the appliance.
- The appliance is only to be used with the power supply unit provided with the appliance.

1) Training

- a) Read the instructions carefully. Be familiar with the controls and the proper use of the appliance;
- b) Never allow children to use the appliance.
- c) Never allow people unfamiliar with these instructions to use the appliance. Local regulations may restrict the age of the operator;
- d) Never operate the appliance while people, especially children, or pets are nearby;
- e) The operator or user is responsible for accidents or hazards occurring to other people or their property.

2) Preparation

- a) While operating the appliance, always wear substantial footwear and long trousers. Do not operate the equipment when barefoot or wearing open sandals;
- b) Do not wear loose clothing or jewellery that can be drawn into the air inlet. Keep long hair away from the air inlets.
- c) Wear protective goggles while operating.
- d) To prevent dust irritation the wearing of a face mask is recommended.
- e) Never operate the appliance with defective guards or shields, or without safety devices, for example debris collector in place.

3) Operation

- a) Remove the battery pack from the appliance
 - whenever you leave the machine;
 - before clearing a blockage;
 - before checking, cleaning or working on the appliance;
 - if the appliance starts to vibrate abnormally.
- b) Operate the appliance only in daylight or in good artificial light.
- c) Do not overreach and keep your balance at all times.

- d) Always be sure of your footing on slopes.
- e) Walk, never run.
- f) Keep all cooling air inlets clear of debris.
- g) Never blow debris in the direction of bystanders.

4) Maintenance and storage












- a) Keep all nuts, bolts and screws tight to be sure the appliance is in safe working condition;
- b) Replace worn or damaged parts.
- c) Use only genuine replacement parts and accessories.
- d) Store the appliance only in a dry place.



SAFETY WARNINGS FOR BATTERY PACK

- a) **Do not dismantle, open or shred cells or battery pack.**
- b) **Do not short-circuit a battery pack. Do not store battery packs haphazardly in a box or drawer where they may short-circuit each other or be short-circuited by conductive materials.** When battery pack is not in use, keep it away from other metal objects, like paper clips, coins, keys, nails, screws or other small metal objects, that can make a connection from one terminal to another. Shorting the battery terminals together may cause burns or a fire.
- c) **Do not expose battery pack to heat or fire. Avoid storage in direct sunlight.**
- d) **Do not subject battery pack to mechanical shock.**
- e) **In the event of battery leaking, do not allow the liquid to come into contact with the skin or eyes. If contact has been made, wash the affected area with copious amounts of water and seek medical advice.**
- f) **Keep battery pack clean and dry.**
- g) **Wipe the battery pack terminals with a clean dry cloth if they become dirty.**
- h) **Battery pack needs to be charged before use. Always refer to this instruction and use the correct charging procedure.**
- i) **Do not maintain battery pack on charge when not in use.**
- j) **After extended periods of storage, it may be necessary to charge and discharge the battery pack several times to obtain maximum performance.**
- k) **Recharge only with the charger specified by Kress. Do not use any charger other than that specifically provided for use with the equipment.**
- l) **Do not use any battery pack which is not designed for use with the equipment.**
- m) **Keep battery pack out of the reach of children.**
- n) **Retain the original product literature for future reference.**
- o) **Remove the battery from the equipment when not in use.**

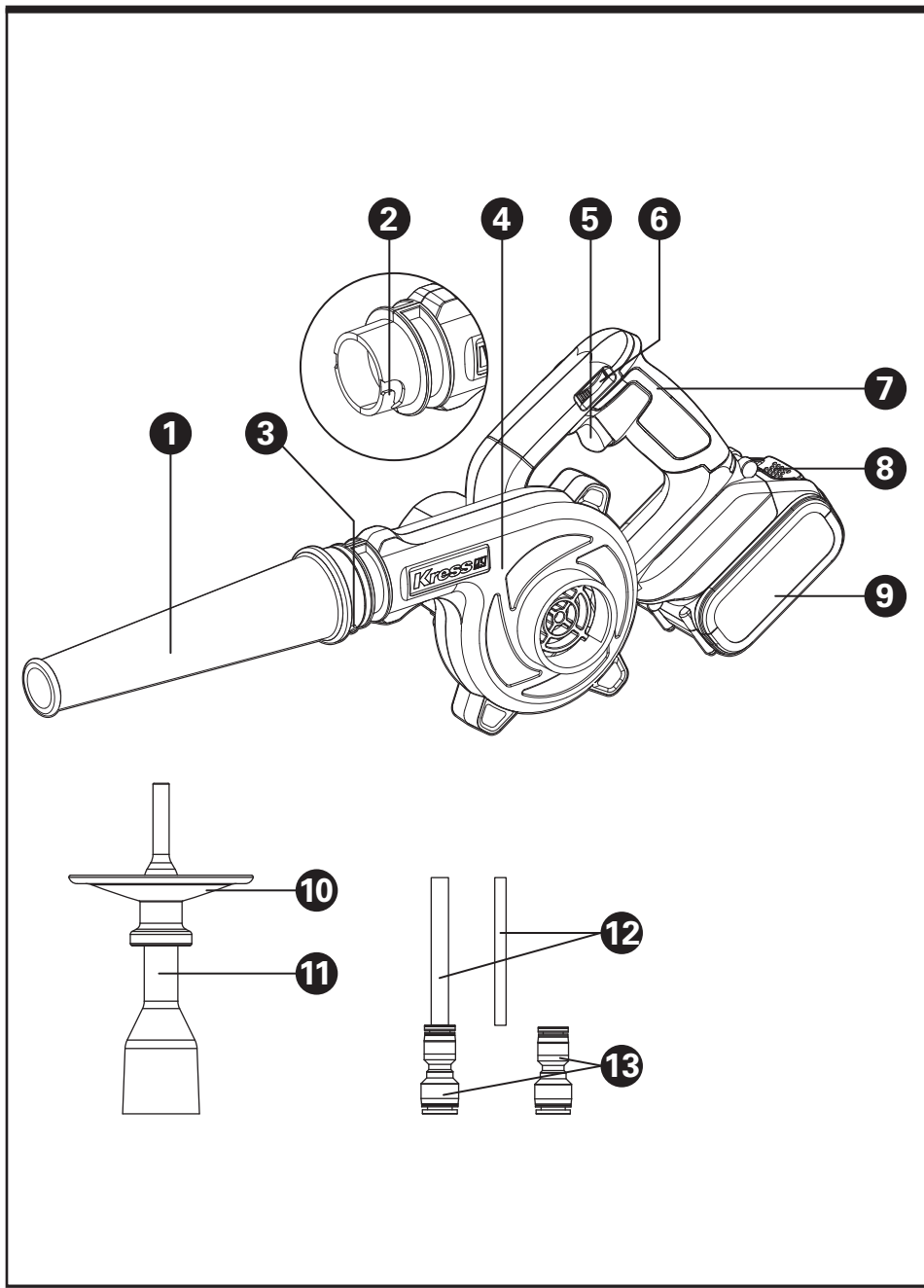
- p) **Dispose of properly.**
- q) **Do not mix cells of different manufacture, capacity, size or type within a device.**
- r) **Keep the battery away from microwaves and high pressure.**

SYMBOLS

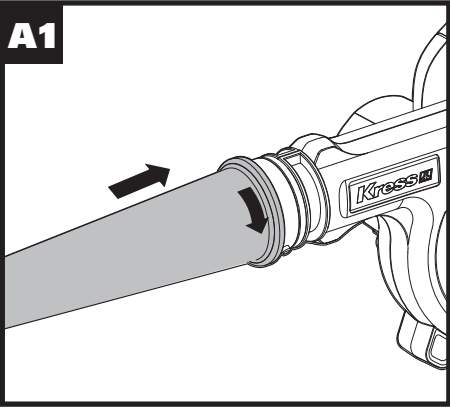
	Read operator's manual
	Warning
	Wear eye protection
	Do not use in the rain or leave outdoors while it is raining.
	Keep bystanders away.
 Li-Ion	Li-Ion battery. This product has been marked with a symbol relating to 'separate collection' for all battery packs and battery pack. It will then be recycled or dismantled in order to reduce the impact on the environment. Battery packs can be hazardous for the environment and for human health since they contain hazardous substances.
 Li-Ion	
	Do not expose to rain or water
	Do not burn
	Make sure the battery is removed prior to changing accessories.
	Wear protective gloves

	The box is recyclable at the kerbside.
	RCM marking

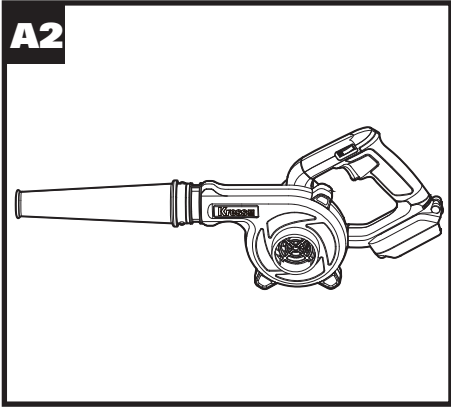
ABN: Australian Business Number. By this number, business information such as entity type, status, business location etc. can be found at website <http://abr.business.gov.au>. ABN of Positec Australia Pty Limited is 14 101 682 357



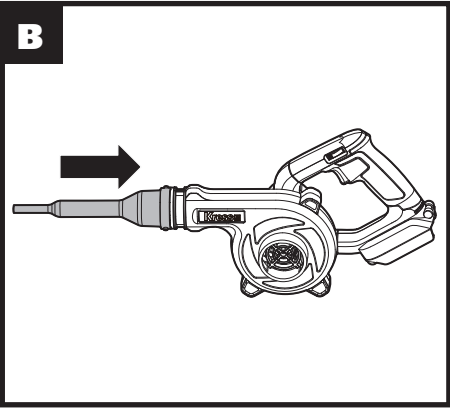
A1



A2

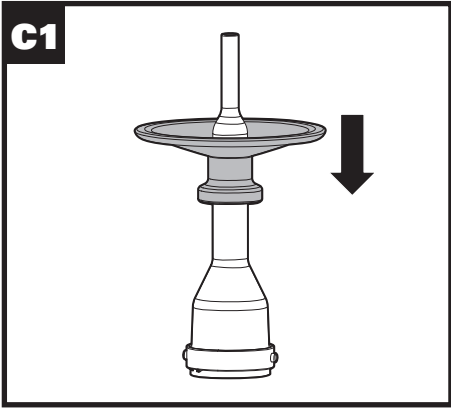


B

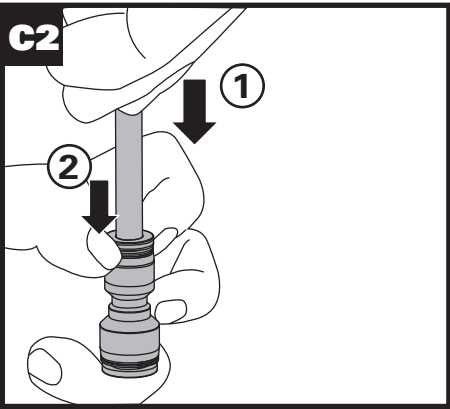


6

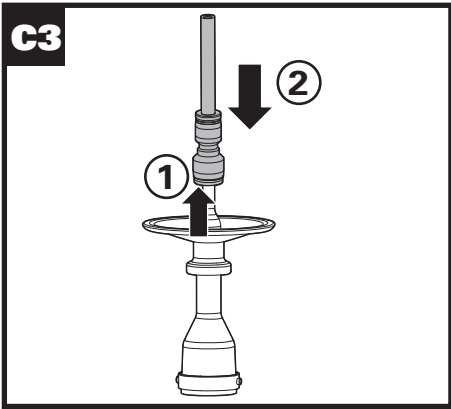
C1



C2

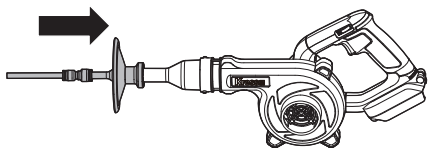
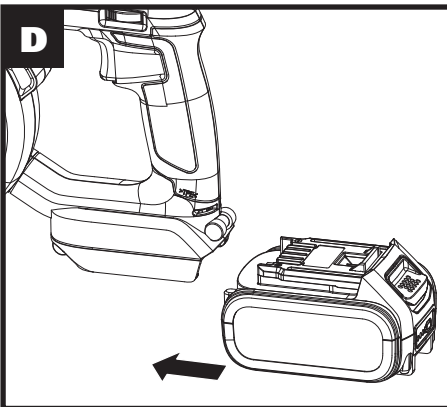
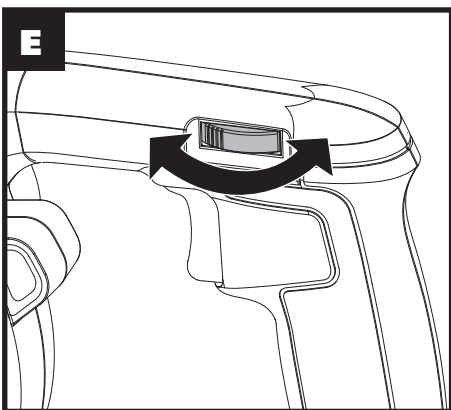
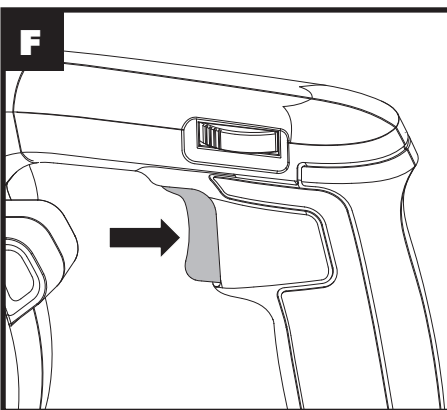
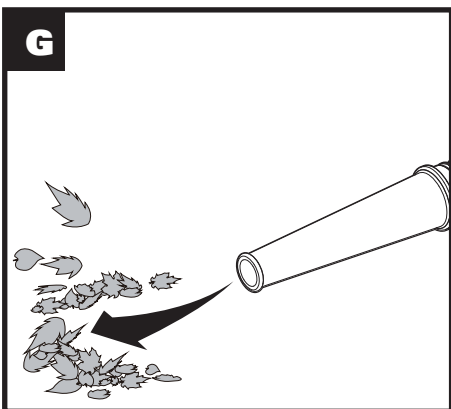
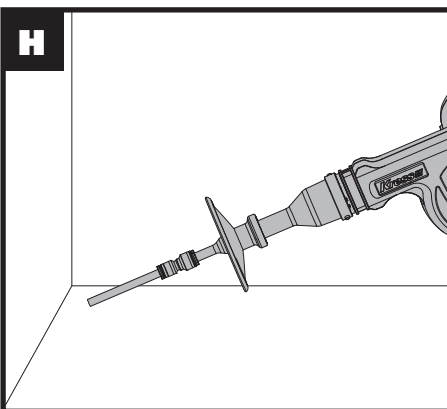


C3



20V Li-ion Blower

KUF30.9

C4**D****E****F****G****H**

COMPONENT LIST

1. BLOWER TUBE
2. INTERFACE
3. BLOWER TUBE CONNECTOR
4. MOTOR HOUSING
5. ON/OFF SWITCH
6. VARIABLE SPEED DIAL
7. HANDLE
8. BATTERY PACK RELEASE BUTTON *
9. BATTERY PACK *
10. DUST COVER
11. BLOWING MOUTH
12. SMALL HOSE
13. QUICK CHANGE CONNECTOR

*Not all the accessories illustrated or described are included in standard delivery.

TECHNICAL DATA

	KUF30.9
Voltage	20V --- Max**
No load speed	I: 11000r/min II: 15000r/min III: 18000r/min
Air volume	I: 1.6m ³ /min II: 2.2m ³ /min III: 2.8m ³ /min
Machine weight	1.3 kg

** Voltage measured without workload. Initial battery voltage reaches maximum of 20 volts. Nominal voltage is 18 volts.

ACCESSORIES

	KUF30.9
Blower tube	1
Dust cover	1
Blowing mouth	1
Small hose	2 (Φ6, Φ8)
Quick change connector	2

We recommend that you purchase your accessories listed in the above list from the same store that sold you the blower. Refer to the accessory packaging for further details. Store personnel can assist you and offer advice.

OPERATING INSTRUCTIONS



Read operator's manual.

NOTE:

- **Remove the battery before carrying out any adjustment, servicing or maintenance.**
- **Make sure that ON/OFF Switch is on "O" position before assembling or removing any accessories.**

ASSEMBLY AND OPERATION

Action	Figure
ASSEMBLY	
Assembling the blower tube	See Fig. A1, A2
Assembling blowing mouth	See Fig. B
Assembling Small hose, quick change connector, dust cover	See Fig. C1, C2, C3, C4
OPERATION	
Installing & removing the battery pack *	See Fig. D
Using the variable speed dial (I, II, III)	See Fig. E
Starting & Stopping WARNING! The tool runs for a few seconds after it has been switched off. Let the motor come to a complete standstill before setting the tool down.	See Fig. F

Using the blower

USER TIPS

- Hold the blow tube approx 180mm above the ground when operating the tool.
- Use a sweeping motion from side to side. Advance slowly keeping the accumulated debris/leaves in front of you.
- After blowing the debris/leaves into a pile, it is easy to dispose of the pile.

Caution!

- Do not operate the blower near bystanders or pets.
- Use extra care when cleaning debris from stairs or other tight areas.
- Wear safety goggles or other suitable eye protection, long pants, and shoes.
- Keep bystanders away.
- Do not blow any hot flammable or explosive materials.

See Fig. G, H

CLEANING THE TOOL

Clean the tool regularly.

WARNING!

- **Keep your product dry. Under no circumstances spray with water.**
- **To clean the tool, use only mild soap and a damp cloth.**
- **Do not use any type of detergent, cleaner or solvent which may contain chemicals that could seriously damage the plastic.**
- **Self lubricating bearings are used in your product, therefore lubrication is not required.**

ENVIRONMENTAL PROTECTION



Disposal

The machine, its accessories and packaging materials should be sorted for environmentally friendly recycling. The plastic components are labeled for categorized recycling.





Kress 